



LiFePo

Power Cell Specifications

Power Cell Key Characteristics

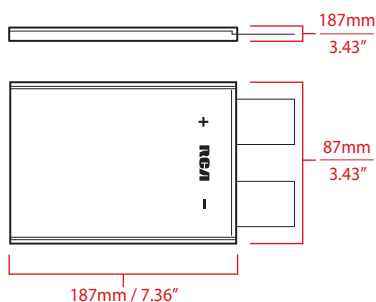
Smaller body profile Lithium Ion power cell is ideal for a wide variety of uses.

- ✓ Super Fast Charging (4C)
- ✓ High Power Density

Nominal Capacity	3980mAh
Nominal Voltage	3.8V
Charging Voltage	4.43V
Voltage Termination	3V
Charging Specifications	
Super Fast Charging	2C (8A), 80%
Fast Charging	1C (4A), 80%
Standard Charging	0.2C CC charge to 4.43V then CV charge until current decline to 0.025Cmin
Discharging Specifications	
Continuous High Rate Discharging (Max)	1C
Standard Discharging	0.2C
Operating Temperatures	
Charging Temperature	0°C to 5°C / 32°F to 41°F (0.1C Charging) 5°C to 15°C / 41°F to 59°F (0.3C Charging) 10°C to 45°C / 50°F to 113°F (2C Charging)
Discharging Temperature	0°C to 60°C / 32°F to 140°F (1C Charging)
Weight	55g / ~0.12 lb
Dimensions	4.5 x 64 x 80mm / 0.18 x 2.25 x 3.15 in

Select More Power Cells by Key Characteristics:

- **AX-01 Power Cell**
Solid state electrolyte.
- Fast Charging (2C)
- High Energy Density
- **AX-02 Power Cell**
Solid state electrolyte.
- Super Fast Charging (4C)
- High Power Density
- **AX-02.5 Power Cell**
Solid state electrolyte within a smaller body.
- Super Fast Charging (4C)
- High Power Density
- **AX-03 Power Cell**
Solid state dramatically reduces thermal runaway caused by physical abuse.
- High Capacity
- High Energy and High Power Density


[ACCESS PRODUCT PAGE](#)
[GO TO WEBSITE](#)
