

**Power Cell Key Characteristics**

Solid state electrolyte dramatically reduces thermal runaway caused by abuse.

- ✓ Fast Charging (2C)
- ✓ High Energy Density

Select More Power Cells by Key Characteristics:**• AX-02 Power Cell**

Solid state electrolyte.
- Super Fast Charging (4C)
- High Power Density

• AX-02.5 Power Cell

Solid state electrolyte within a smaller body.
- Super Fast Charging (4C)
- High Power Density

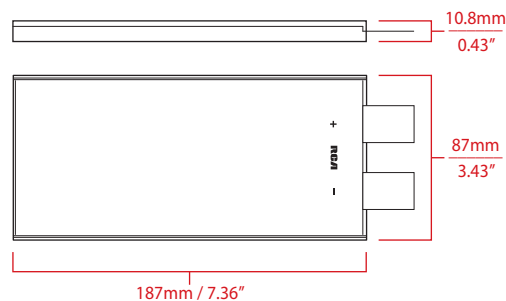
• AX-03 Power Cell

Solid state dramatically reduces thermal runaway caused by physical abuse.
- High Capacity
- High Energy and High Power Density

• LiFePo Power Cell

Lithium Ion power cell within a smaller body.
- Super Fast Charging (4C)

Nominal Capacity	31Ah (0.5C)
Nominal Voltage	3.6V
Charging Voltage	4.2V
Voltage Termination	2.5V
Charging Specifications	
Super Fast Charging	2C (62A), 95%
Fast Charging	1C (31A) constant current (CC) charges to 4.2v, then constant voltage (CV) charging until the charging current is less than 0.02C (0.6A)
Standard Charging	0.5C (15.5A) constant current (CC) charges to 4.2v, then constant voltage (CV) charging until the charging current is less than 0.02C (0.6A)
Discharging Specifications	
Pulse Discharging	3C (durations < 10S)
Continous High Rate Discharging (Max)	2C
Standard Discharging	1C
Cycle Life	0.5C/0.5C 2400 times 100% DOD with 80%SoH 1C/1C 1200 times 100% DOD with 80%SoH 1C/2C 900 times 100% DOD with 80%SoH 2C/2C 600 times 100% DOD with 80%SoH
Operating Temperatures	
Charging Temperature	-10.C to 0.C / 14.F to 32.F (0.1C Charging) 0.C to 60.C / 32.F to 140.F (1C Charging)
Discharging Temperature	-30°C to 60°C / -22°F to 140°F
Internal Resistance	1.3+/-0.5mΩ
Weight	405g +/- 15g / ~0.89 lb
Energy Density	> 270Wh/kg
Volume Density	> 600Wh/L
Dimensions	10.8 x 87 x 187mm / 0.43 x 3.43 x 7.36 in


[ACCESS PRODUCT PAGE](#)
[GO TO WEBSITE](#)
